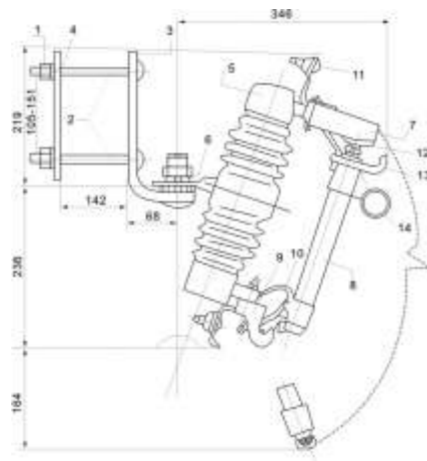


Description

Fuse cutout or Drop out fuse all is to provide protection to the lines of your system and the various apparatus on those lines such as transformers and capacitor banks. CROP Type C cutouts provide reliable protection from low-level overloads that just melt the fuse link, intermediate faults, and very high faults, through maximum interrupt capacity.

In addition, Type C cutouts can also be used as a sectionalizing device. With the use of a portable loadbreak tool, Type C cutouts can function much like an overhead disconnect switch. A 300 amp disconnect blade is also available for this purpose.

1. Nut
2. Long Bolts
3. Mounting Bracket I
4. Mounting Bracket II
5. Porcelain Insulator
6. Spring Washer
7. One-piece Channel
8. Fuse Tube
9. Lower Socket
10. Lower Contacts
11. Connector
12. Upper Contacts
13. Attachment Hooks
14. Operation Ring



Parallel-groove Connector
Tinplated casted brass. For ease of conductor connection, accommodates two conductors of unlike size in a single connector. Other styles of connectors are also available.

One-piece Channel
Heavy galvanized steel(which is also used for inserts, hangers and structural bolts and nuts)

Upper Contacts
Silver-to-silver; stainless-steel spring provides high contact pressure.

Rugged Attachment Hooks
For Loadbuster-guide tube during closing.

Birdproof-design insulator
Higher insulation characteristics than ANSI distribution-cutout standards.

Fuse Tube
Features MultiWind™-liner that virtually impervious to water ingress, special UV-resistant finish assures long life, models also available with disconnect blade.

Lower Contacts
(Not visible)-silver-to-silver; provide dualcurrent path, independent of hangers pivot. Stainless-steel backup springs prevent arcing when tube uses in hinge during recoil.

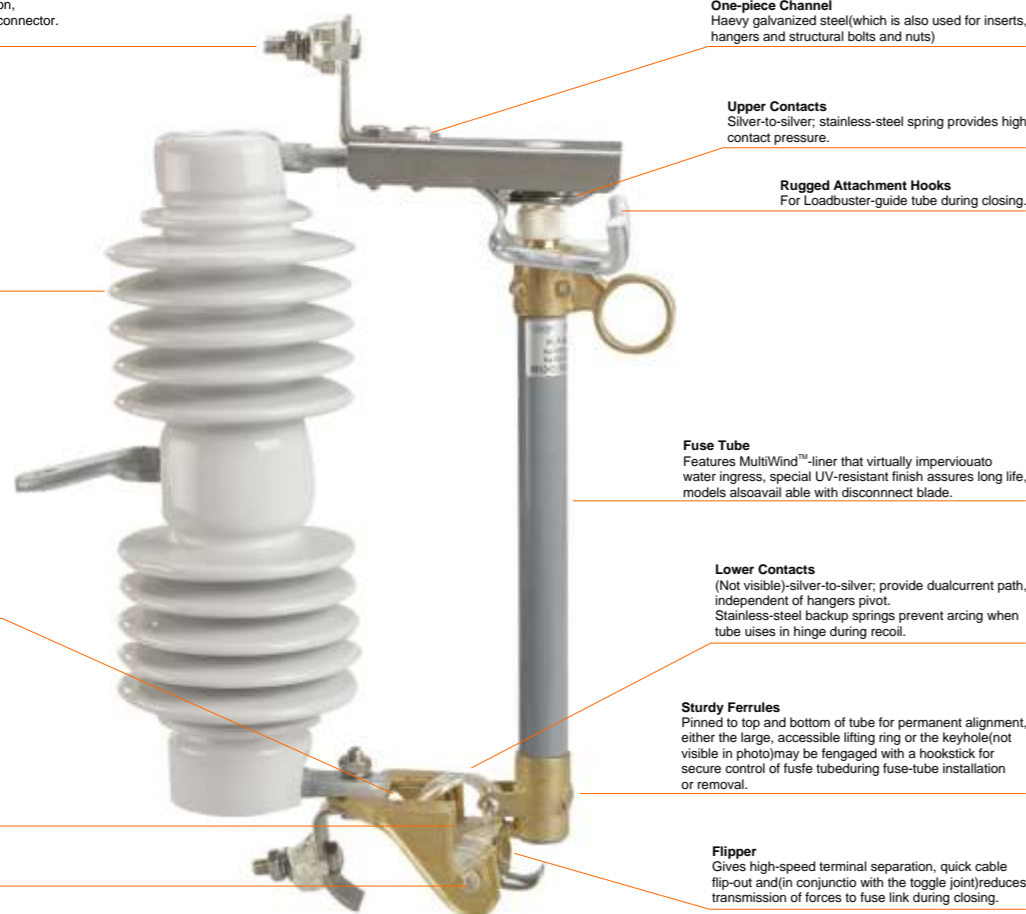
Sturdy Ferrules
Pinned to top and bottom of tube for permanent alignment, either the large, accessible lifting ring or the keyhole(not visible in photo)may be engaged with a hookstick for secure control of fuse tube during fuse-tube installation or removal.

Trunnion
High-strength cast bronze, silver plated surfaces around trunnion bear on broad hinge surfaces to keep tube in alignment during closing.

Toggle Joint
Assures reliable dropout after operation.

Trunnion Pocket
Secures tube in hinge during closing.

Flipper
Gives high-speed terminal separation, quick cable flip-out and(in conjunctio with the toggle joint)reduces transmission of forces to fuse link during closing.



Quality Construction

Efficient Current Transfer

The Chance Type C cutout has an all copper current path. All contacts are silver-plated. Terminals are tin-plated bronze for use with copper or aluminum conductors.

Loadbreak Hooks

Galvanized steel hooks are standard on all Type C cutouts, except the arc chute version, for use with a portable loadbreak tool. These sturdy hooks are mounted on the top support and serve to guide the fuseholder into the latch socket when closing at an off-center angle.

Top Contact

The top contact is attached to the galvanized-steel hood by a stainless rivet to provide a smooth self-aligning action during closing even in severely corrosive environments. The top contact provides a socket-type cavity for latching the fuseholder and prevents any possible "over-travel" of the fuseholder. The top contact is made of a highly conductive copper strip with silver-plated embossments to resist corrosion. The contacts are held under constant pressure designed to maintain firm contact with the fuseholder contact surface until fault interruption is accomplished.

Hinge

The hinge on the Type C cutout employs large pivot areas for the fuseholder's trunnion and is cast of a copper alloy chosen for its strength and corrosion resistance. The hinge contacts are highly conductive copper alloy stampings and are plated to assure low resistance current transfer from the trunnion casting. The parallel current paths are backed up by high strength cantilever springs and are riveted to the hinge castings. Fuseholder can be dropped into place and easily lifted up and out. No tricky maneuvering.

Fuseholders

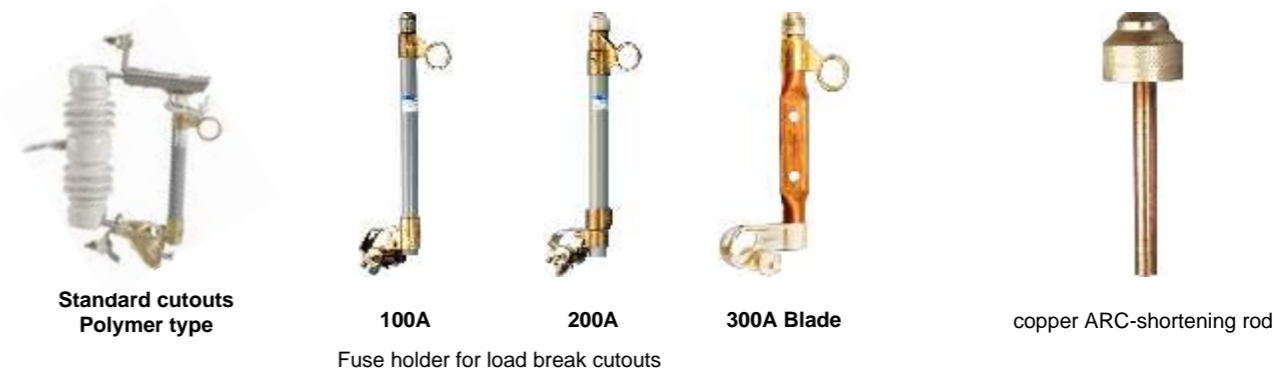
The solid cap on the single vent fuseholder is a copper alloy, silver-plated to provide efficient current transfer. An integral ring is provided in the top tube casting for opening and closing the fuseholder with conventional disconnect tools from the ground, from a bucket truck or from the pole. The toggle type trunnion casting is a selective silver-plated bronze for efficient current transfer to the lower hinge contacts.

A cam shaped projection on each side of the trunnion casting provides high pressure parallel current paths to the lower contacts. These projections, or pivot pins, are cast full round for smooth rotational peration in the hinge. The link ejector assists in arc interruption during low fault current or excessive overload conditions. A groove in the center of the link ejector allows the fuse link's pigtail to go directly from the fuse tube to the attachment nut. A curved ejector minimizes bending stresses in the pigtail to prevent broken strands. A stainless steel torsion spring on the link ejector helps to rapidly eject the link from the bore of the fuseholder during interruption. The 200 amp link ejector has a wider groove area and increased spring force to accommodate the larger links. The link ejector is pinned to the trunnion casting with a stainless steel pin to provide resistance to corrosive elements and provide smooth pivotal action. An interlocking feature between the link ejector and tube casting prevents excessive tension on the fuse link during closure, thereby preventing link breakage. The link ejector employs a hammer effect to enhance toggle action of the trunnion during low fault and overload interruptions, hence dropout action is enhanced. The link ejector provides sufficient surface area to facilitate re-fusing by linemen wearing gloves.

We have fuse holders from 100A, 200A, 300A in copper tube.

Insulators

Accessories



* IF you want order the Load break cutout, please add "LB" before the type code.
* if you need the copper ARC-shortening rod, please add "M" behind the type code.

PORCELAIN FUSE CUTOUT

BIL110KV, 15KV



10kV-15kV

Models	C15110C1-100	C15110C1-200
Rated Voltage(kV)	10-15	10-15
Rated Current(A)	100	200
Breaking Current(A)	10000	12000
Impulse Voltage(kV)	110	110
Power-frequency Withstand Voltage(kV)	42	42
Creepage Distace(mm)	250	250
Weight(kg)	7.0	7.0
Dimensions(cm)	38.5x34.5x10.5	38.5x34.5x10.5



10kV-15kV

Models	C15110C2-100	C15110C2-200
Rated Voltage(kV)	10-15	10-15
Rated Current(A)	100	200
Breaking Current(A)	10000	12000
Impulse Voltage(kV)	110	110
Power-frequency Withstand Voltage(kV)	42	42
Creepage Distace(mm)	250	250
Weight(kg)	7.5	7.5
Dimensions(cm)	38.5x34.5x10.5	38.5x34.5x10.5



12kV-15kV

Models	C15110C3-100	C15110C3-200
Rated Voltage(kV)	10-15	10-15
Rated Current(A)	100	200
Breaking Current(A)	10000	12000
Impulse Voltage(kV)	110	110
Power-frequency Withstand Voltage(kV)	40	40
Creepage Distace(mm)	250	250
Weight(kg)	7.0	7.0
Dimensions(cm)	38.5x34.5x10.5	38.5x34.5x10.5



10kV-15kV

Models	LBC15110C4-100	LBC15110C4-200
Rated Voltage(kV)	10-15	10-15
Rated Current(A)	100	200
Breaking Current(A)	10000	12000
Impulse Voltage(kV)	110	110
Power-frequency Withstand Voltage(kV)	40	40
Creepage Distace(mm)	260	260
Weight(kg)	7.5	7.5
Dimensions(cm)	48.5x44x13.5	48.5x44x13.5



11kV-15kV

Models	C15110C5-100	C15110C5-200
Rated Voltage(kV)	10-15	10-15
Rated Current(A)	100	200
Breaking Current(A)	6000	8000
Impulse Voltage(kV)	110	110
Power-frequency Withstand Voltage(kV)	40	40
Creepage Distace(mm)	340	340
Weight(kg)	7.5	7.5
Dimensions(cm)	49x27x11	49x27x11

PORCELAIN FUSE CUTOUT

BIL125KV, 27KV



15kV-27kV

Models	C27125C1-100	C27125C1-200
Rated Voltage(kV)	15-27	15-27
Rated Current(A)	100	200
Breaking Current(A)	10000	12000
Impulse Voltage(kV)	125	125
Power-frequency Withstand Voltage(kV)	45	45
Creepage Distace(mm)	355	355
Weight(kg)	8.8	8.8
Dimensions(cm)	51.5x34x12	51.5x34x12



15kV-27kV

Models	C27125C2-100	C27125C2-200
Rated Voltage(kV)	15-27	15-27
Rated Current(A)	100	200
Breaking Current(A)	10000	12000
Impulse Voltage(kV)	125	125
Power-frequency Withstand Voltage(kV)	45	45
Creepage Distace(mm)	350	350
Weight(kg)	8.5	8.5
Dimensions(cm)	48x35x10.5	48x35x10.5



15kV-27kV

Models	C27125C3-100	C27125C3-100
Rated Voltage(kV)	15-27	15-27
Rated Current(A)	100	200
Breaking Current(A)	10000	12000
Impulse Voltage(kV)	125	125
Power-frequency Withstand Voltage(kV)	45	45
Creepage Distace(mm)	350	350
Weight(kg)	8.5	8.5
Dimensions(cm)	45x34.5x12	45x34.5x12

BIL150KV, 27KV



24kV-27kV

Models	C27150C1-100	C27150C1-200
Rated Voltage(kV)	24-27	24-27
Rated Current(A)	100	200
Breaking Current(A)	8000	10000
Impulse Voltage(kV)	150	150
Power-frequency Withstand Voltage(kV)	65	65
Creepage Distace(mm)	505	505
Weight(kg)	12	12
Dimensions(cm)	48x34.5x14	48x34.5x14



24kV-27kV

Models	C27150C2-100	C27150C2-200
Rated Voltage(kV)	24-27	24-27
Rated Current(A)	100	200
Breaking Current(A)	8000	10000
Impulse Voltage(kV)	150	150
Power-frequency Withstand Voltage(kV)	65	65
Creepage Distace(mm)	540	540
Weight(kg)	12	12
Dimensions(cm)	49x35x14	49x35x14

PORCELAIN FUSE CUTOUT

BIL170KV, 36KV



33kV-36kV

Models	C36170C1-100	C36170C1-200
Rated Voltage(kV)	33	33
Rated Current(A)	100	200
Breaking Current(A)	6000	8000
Impulse Voltage(kV)	170	170
Power-frequency Withstand Voltage(kV)	70	70
Creepage Distace(mm)	660	660
Weight(kg)	15	15
Dimensions(cm)	56x38x14.5	56x38x14.5



33kV-36kV

Models	C36170C2-100	C36170C2-200
Rated Voltage(kV)	33	33
Rated Current(A)	100	200
Breaking Current(A)	8000	10000
Impulse Voltage(kV)	170	170
Power-frequency Withstand Voltage(kV)	70	70
Creepage Distace(mm)	820	820
Weight(kg)	27.5	27.5
Dimensions(cm)	68x17x15	68x17x15



33kV-36kV

Models	C36170C3-100	C36170C3-200
Rated Voltage(kV)	36	36
Rated Current(A)	100	100
Breaking Current(A)	10000	12000
Impulse Voltage(kV)	170	170
Power-frequency Withstand Voltage(kV)	70	70
Creepage Distace(mm)	720	720
Weight(kg)	15.5	15.5
Dimensions(cm)	63x38x14.5	63x38x14.5

Accessories



Load breaker cutouts
Polymer type



100A 200A
Fuse holder for load break cutouts



300A Blade



copper ARC-shortening rod

* IF you want order the Load break cutout , please add "LB" before the type code.
* if you need the copper ARC-shortening rod, please add "M" behind the type code.

POLYMER FUSE CUTOUT

BIL110KV, 15KV



12kV-15kV

Models	C15110Y1-100	C15110Y1-200
Rated Voltage(kV)	15	15
Rated Current(A)	100	200
Breaking Current(A)	10000	12000
Impulse Voltage(kV)	110	110
Power-frequency Withstand Voltage(kV)	45	45
Creepage Distace(mm)	245	245
Weight(kg)	3.8	3.8
Dimensions(cm)	45x34x11.5	45x34x11.5

BIL150KV, 27KV



24kV-27kV

Models	C27150Y1-100	C27150Y1-200
Rated Voltage(kV)	24	24
Rated Current(A)	100	200
Breaking Current(A)	10000	12000
Impulse Voltage(kV)	150	150
Power-frequency Withstand Voltage(kV)	65	65
Creepage Distace(mm)	540	540
Weight(kg)	4.5	4.5
Dimensions(cm)	51x34x11.5	51x34x11.5

BIL170KV, 36KV



33kV-36kV

Models	C36170Y1-100	C36170Y1-200
Rated Voltage(kV)	36	36
Rated Current(A)	100	200
Breaking Current(A)	10000	12000
Impulse Voltage(kV)	170	170
Power-frequency Withstand Voltage(kV)	70	70
Creepage Distace(mm)	720	720
Weight(kg)	5	5
Dimensions(cm)	61x34x11.5	61x34x11.5

Accessories



Load breaker cutouts
Polymer type



100A 200A
Fuse holder for load break cutouts



300A Blade



copper ARC-shortening rod

* IF you want order the Load break cutout , please add "LB" before the type code.
* if you need the copper ARC-shortening rod, please add "M" behind the type code.