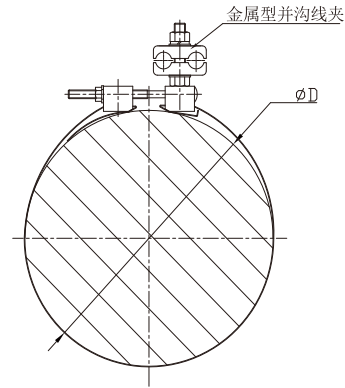
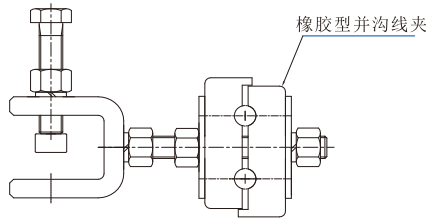


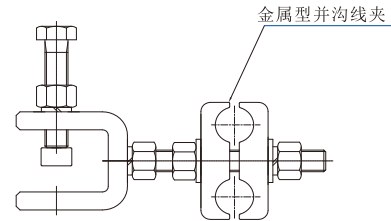
Rubber type Down lead clamp for Pole



Metal type Down lead clamp for Pole



Rubber type Down lead clamp for Tower



Metal type Down lead clamp for Tower

Application:

Down line clamp use for fixing the ADSS or OPGW when come down or jump connection, every 1.5-2.0m need installing one set of down line clamp.

Material:

Parallel groove clamp : Rubber or Aluminum alloy

Hoop: Stainless steel

Bracket: Aluminum alloy

U bracket: Hot dip galvanized steel

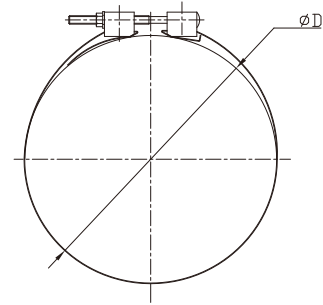
Table 8.1

Product Name	Model	Cable Dia. Range(mm)	Weight(kg)	Remark
Rubber type Down lead clamp for Tower	TGY 1110-T	9.0-11.1	0.85	For ADSS
	TGY 1330-T	11.2-13.3	0.85	
	TGY 1550-T	13.4-15.5	0.85	
	TGY 1800-T	15.6-18.0	0.85	
Metal type Down lead clamp for Tower	TGY 115-T	7.0-11.5	0.85	For OPGW
	TGY 160-T	11.6-16.0	0.85	
	TGY 200-T	16.1-20.0	0.85	
Rubber type Down lead clamp for Pole	TGY 1110-H*	9.0-11.1	0.95	For ADSS
	TGY 1330-H*	11.2-13.3	0.95	
	TGY 1550-H*	13.4-15.5	0.95	
	TGY 1800-H*	15.6-18.0	0.95	
Metal type Down lead clamp for Pole	TGY 115-H*	7.0-11.5	0.95	For OPGW
	TGY 160-H*	11.6-16.0	0.95	
	TGY 200-H*	16.1-20.0	0.95	

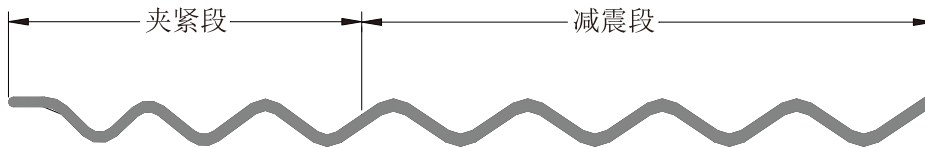
Notes: " H*" in Down line clamp for Pole type mean stainless steel strap , detail type choose from the catalogue.

Table 8.2 Hoop size according to Pole diameter

Model	H1	H2	H3	H4
Max Dia. of Pole D (mm)	310	460	600	800
Weight(kg)	0.45	0.50	0.55	0.6



Spiral Incabloc



Material: High strength, aging resistance PVC

Application: As damping device for ADSS or OPGW in heavy ice area.

According to ADSS operating tension and span, different span will required different quantity. (table9.1)

Table 9.1 collection

Span	Number/Span
<100M	0
100-250	2
250-400	4
400-800	6
800-1000	8

Table 9.2

Model	Dia. Range(mm)	Clamp L (mm)	Total Length(mm)	Weight(kg)
FTL 1170 130	8.30-11.70	250	1300	0.28
FTL 1430 135	11.71-14.30	250	1350	0.30
FTL 1930 167	14.31-19.30	330	1670	0.66