

## ▶ Strain Clamp

Strain clamps are used to fix conductor and ground wire through insulators or link fitting to tower arms or substation structures. according to the clamp construction and mounting way, the clamps include three types as compression type, bolt type and wedge type. The compression type includes hydraulic type and explosive type.

The meaning of letter & Arabic figure in the catalog are shown as follow.

**N-strain clamp L- bolt type D-inverse mounting Y-hydraulic type B-explosive type**

The figures mean the of assembled leads which apply to each other numbers.

Additional letter: A-jumper 0 B-jumper 30 The radius of curvature is more than eight fold diameter of the suitable conductor, the percentage minimum slip strength of clamp to rated ultimate strength of conductor is shown in the following table.

As the bolt type strain clamp is used to AAC and ACSR, the conductor may be wound by aluminium tape or preformed armour rods for protecting.

Application	Type	Percentage (%)
Electric power line	Compression	95
	Bolt	90
* strain clamp for big section conductor, extra-diameter conductor, insulation conductor, please choose the tension around 65%		



NLL series bolt type aluminium alloy strain clamp



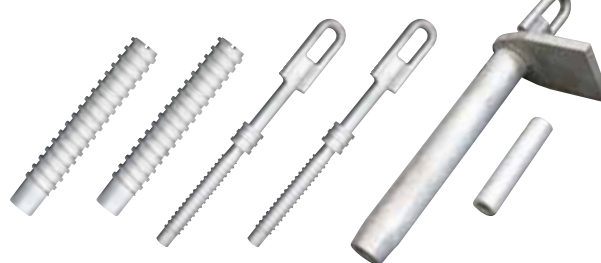
NY series strain clamp

NY series strain clamp

NB series strain clamp

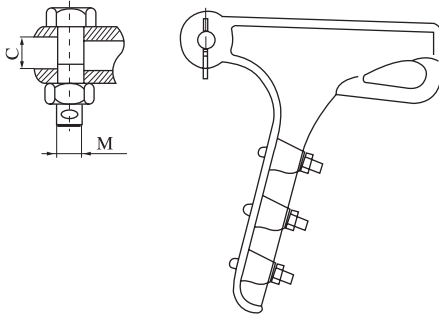


NY series strain clamp



NYH series strain clamp

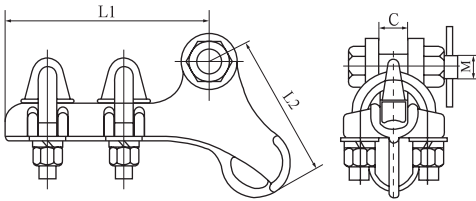
### ▶ Aluminium alloy strain clamp(bolt type)



Catalog No.	Applicable Conductor (mm <sup>2</sup> )	C	M	U Bolt		Specified Failure Load (kN)
				M	No.	
NLL-1	5.0-10.0	18	16	M12	2	40
NLL-2	10.0-14.0	18	16	M12	2	40
NLL-3	14.0-18.0	27	16	M14	3	70
NLL-4	18.0-23.0	30	18	M14	3	90
NLL-27	12.48-21.66	27	18	M16	4	90
NLL-5	23.0-29.0	36	22	M16	4	120
NLL-6	25.9-32.67	42	22	M18	4	100
NLL-1A	5.0-10.0	18	16	M12	2	40
NLL-2A	10.0-14.0	18	16	M12	2	40
NLL-3A	14.0-18.0	27	16	M14	3	70
NLL-4A	18.0-23.0	30	18	M14	3	90

NLL series is suitable for aerial line up to 10kV, fixing aluminium wire or steel core aluminium wire on the strain pole.

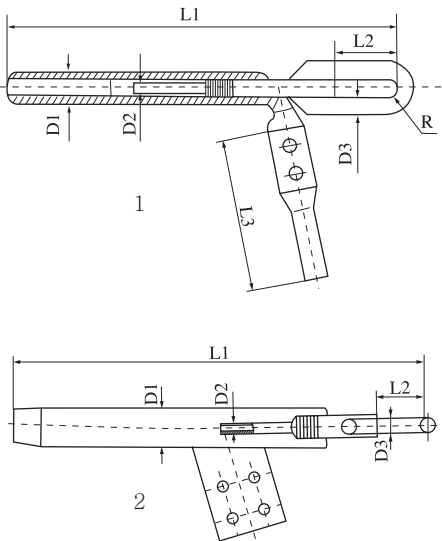
### ▶ Aluminium Alloy Strain Clamps



Catalog No.	Applicable aluminum stranded conductor typ(mm <sup>2</sup> )	Dimensions(mm)				Specified Failure Load (kN)
		L1	L2	C	M	
NLD-2L	35~95	135	95	18	M16	30
NLD-3L	120~150	178	100	24	M16	40
NLD-4L	185~240	220	168	25	M18	50
NLD-5L	240~300	235	180	32	M18	70

Clamp bodies are Aluminium, the other parts are steel and hot dip galvanized.

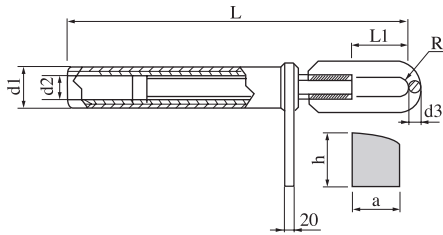
### ▶ Strain Clamps for heat-resistant aluminum alloy Stranded Conductor( hydraulic Compression Type)



Catalog No.	Suitable Conductor(mm <sup>2</sup> )	Dimensions(mm)							Weight (kg)	Diagram
		D1	D2	D3	R	L1	L2	L3		
NY-185/30N	NRLH <sub>60</sub> <sup>58</sup> GJ-185/30	36	16	16	10	545	55	245	4.2	1
NY-240/30N	NRLH <sub>60</sub> <sup>58</sup> GJ-240/30	45	18	18	10	545	55	295	4.4	1
NY-240/40N	NRLH <sub>60</sub> <sup>58</sup> GJ-240/40	45	18	18	10.5	610	60	295	4.4	1
NY-300/40N	NRLH <sub>60</sub> <sup>58</sup> GJ-300/40	50	18	18	12	575	65	325	6.5	1
NY-300/50N	NRLH <sub>60</sub> <sup>58</sup> GJ-300/50	50	18	18	12	575	65	325	6.5	1
NY-400/35N	NRLH <sub>60</sub> <sup>58</sup> GJ-400/35	55	18	20	13.5	605	65	340	7.5	1
NY-400/50N	NRLH <sub>60</sub> <sup>58</sup> GJ-400/50	55	20	20	13.5	605	65	340	7.6	1
NY-500/45N	NRLH <sub>60</sub> <sup>58</sup> GJ-500/45	65	20	20	14	615	70	170	8.1	2
NY-500/70N	NRLH <sub>60</sub> <sup>58</sup> GJ-500/70	65	22	26	17	645	90	357	8.3	2
NY-630/45N	NRLH <sub>60</sub> <sup>58</sup> GJ-630/45	70	20	22	16	690	70	365	8.6	2
NY-630/80N	NRLH <sub>60</sub> <sup>58</sup> GJ-630/80	70	26	26	17	720	80	365	8.8	2
NY-800/55N	NRLH <sub>60</sub> <sup>58</sup> GJ-800/55	72	20	26	19	750	80	345	9.0	2

Clamp bodies are aluminium alloy, the other parts are steel and hot-dip galvanized.

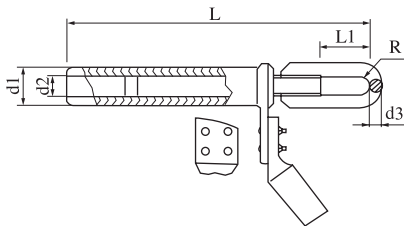
## ▶ Strain Clamps for Welding Hydraulic Compression Type



Catalog No.	Suitable Conductor Type (mm <sup>2</sup> )	Dimensions(mm)								Grip Strength (kN)	Weight (kg)
		d1	d2	d3	L	L1	R	a	h		
NYH-600K	LGKK-600	76	-	20	510	75	15	120	120	107	7.4
NYH-900K	LGKK-900	70	-	24	545	85	15	120	120	137	7.0
NYH-1400K	LGKK-1400	76	-	24	640	70	20	150	150	188	7.3
NYH-1400/120	LGJQT-1400/120	76	30	24	690	70	20	120	120	294	10.2
NYH-1400/135	LGJQT-1400/135	76	30	24	740	100	20	120	120	313	10.2
NYH-500/65N	NRLH58GJ-500/65	60	22	22	660	70	15	125	125	96	9.5
NYH-630N	NRLH58GJ-630/80	70	24	26	710	80	17	125	125	122	8.5
NYH-1000/125N	NRLH58GJ-1000/125	76	32	24	720	85	21	150	150	188	12.0
NYH-1440/120N	NAHLGJQ-1440/120	80	34	24	760	100	20	150	150	210	11.8
NYH-1440/135N	NAHLGJQ-1440/135	80	34	24	740	100	20	150	150	313	11.8

Clamp bodies are aluminium alloy, the other parts are steel and hot-dip galvanized.

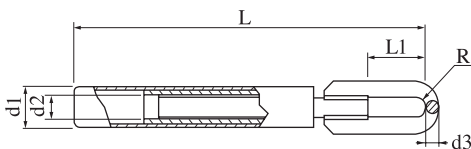
## ▶ Strain Clamps of Welding Hydraulic Compression Type



Catalog No.	Suitable Conductor Type (mm <sup>2</sup> )	Dimensions(mm)							Grip Strength (kN)	Weight (kg)
		d1	d2	d3	L	L1	R	a		
NYH-600K/600K	LGKK-600	76	-	20	510	75	15	100	11.6	
NYH-900K/900K	LGKK-900	74	-	24	495	85	15	136	11.0	
NYH-1400K/1400K	LGKK-1400	84	-	24	620	100	20	188	-	
NYH-1400/1400/120	LGJQT-1400/120	76	30	24	720	100	20	214	13.0	
NYH-1400/1400/135	LGJQT-1400/135	76	30	24	720	100	20	232	13.0	
NYH-500/65N/500N	NRLH58GJ-500/65	60	22	22	660	70	15	96	11.5	
NYH-630N/630N	NRLH58GJ-630/80	70	24	26	710	80	17	122	11.0	
NYH-1000/125N/1000N	NRLH58GJ-1000/125	76	32	24	720	85	21	188	14.5	
NYH-1440N/1440/120N	NAHLGJQ-1440/120	80	34	24	760	100	20	210	16.0	
NYH-1440N/1440/135N	NAHLGJQ-1440/135	80	34	24	760	100	20	228	16.0	

Clamp bodies are aluminium alloy, the other parts are steel and hot-dip galvanized.

## ▶ Terminal Strain Clamps



Catalog No.	Suitable Conductor Type (mm <sup>2</sup> )	Dimensions(mm)						Grip Strength (kN)	Weight (kg)
		d1	d2	d3	R	L	L10		
NZ-600K	LGKK-600	76	-	20	15	450	70	100	6.5
NZ-900K	LGKK-900	74	-	24	15	470	85	136	5.5
NZ-1400K	LGKK-1400	84	-	24	20	620	100	188	-
NZ-1400/120	LGJQT-1400/120	76	30	24	20	540	100	214	6.8
NZ-1400/135	LGJQT-1400/135	76	30	24	20	540	100	232	6.8
NZ-1440/120N	NAHLGJQ-1440	80	34	24	20	660	100	210	11.0
NZ-1440/135N	NAHLGJQ-1440	80	34	24	20	660	100	228	11.00

Clamp bodies are aluminium alloy, the other parts are steel and hot-dip galvanized.

## ▶ Straight Line Strain Clamp

### Product Description:

Dead ends bolted Aluminum Straight line strain clamp for distribution and light transmission construction with all aluminum, ACSR or aluminum alloy conductor. These clamps have high holdingpower and large range taking ability.( Straight Contoured Groove).



### Product Range:

Type	Dimension							Conductor Range	U Bolts		Pin Bolt	Ultimate Body Strength(kg)
	A	B	L	W	D1	D2	D3		No.	Size		
ASC-1	1" (25.4mm)	2-1/8" (53.98mm)	5-3/8" (136.52mm)	11/16" (17.46mm)	1-5/8" (41.27mm)	1-1/8" (28.57mm)	3/4" (19.05mm)	0.18"-0.47" (4.57~11.94mm)	2	M12	M16	3175kg
ASC-2	1" (25.4mm)	3-1/2" (88.9mm)	6-3/4" (171.45mm)	11/16" (17.46mm)	1-5/8" (41.27mm)	1-1/8" (28.57mm)	3/4" (19.05mm)	0.47"-0.64" (11.94~16.26mm)	2	M12	M16	3629kg
ASC-3	1" (25.4mm)	3-7/8" (98.43mm)	7-5/8" (190.5mm)	11/16" (17.46mm)	1-5/8" (41.27mm)	1-1/8" (28.57mm)	3/4" (19.05mm)	0.64"-0.88" (16.26~22.35mm)	2	M12	M16	4536kg

### Used Materials:

Body and keeper: aluminum alloy

Hardware: galvanized steel

Socket and Clevises: Iron, galvanized

Cotter Pin: Stainless Steel

### Variants:

The product is manufactured and supplied in modification's as is showed upwards in product range.

### Storage and transport:

Product do not have any specific requirements on storage. It is fire-resistand it is not dangerous.

